

ANALOG CHANNEL EXPANSION SLOTS				ANALOG	ANALOG	DIGITAL	DIGITAL	DIGITAL
<INPUTS >	<INPUTS >	<INPUTS >	<INPUTS >	INPUTS	INPUTS	INPUTS	INPUTS	OUTPUTS
<21 - 24>	<17 - 20>	<13 - 16>	<9 - 12>	5 - 8	1 - 4	1 - 8	9 - 16	1 - 8

<h2>Syscon PlantStar RI03</h2> <h3>Module Functions and Layout</h3>	
TITLE: pstarcustpinout	
Document Number:	REV:
Date: 1/04/2010 06:12:54p	Sheet: 1/3

ALL SHIELD TERMINALS ARE AT LOCAL CHASSIS GROUND POTENTIAL AND ARE NOT ISOLATED

CHANNELS 24,20,16,12

CHANNELS 23,19,15,11

CHANNELS 22,18,14,10

CHANNELS 21,17,13,9



EXPANSION MODULES  
CHANNEL ASSIGNMENT

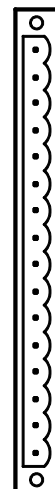
ANALOG MODULE  
CHAN 5-8  
CONNECTOR PINS



ANALOG MODULE  
CHAN 1-4  
CONNECTOR PINS

SIGNALS > 125 mV  
CONNECT  
HL + TO CHAN -

SIGNALS < 125 mV  
CONNECT  
LL + TO CHAN -



DIGITAL MODULE  
INPUTS 1 - 8  
CONNECTOR PINS

INPUT - TERMINALS  
24 VDC RETURN  
(CIM SUPPLIED)



DIGITAL MODULE  
INPUTS 9 - 16  
CONNECTOR PINS

OUTPUT + TERMINALS  
+24 VDC  
(CIM SUPPLIED)



DIGITAL MODULE  
OUTPUTS 1 - 8  
CONNECTOR PINS

### ANALOG MODULE CONNECTION NOTES

SIGNALS 125 mV OR LESS USE CHAN - TO LL +  
SIGNALS 12.5 V OR LESS USE CHAN - TO HL +  
0.1 uA BIAS / BURNOUT DETECT CURRENT IS SOURCED AT LL+ TO CHAN - TERMINALS  
500 VAC/VDC MAXIMUM ISOLATION ON EACH MODULE CHANNEL

### INPUTS WITH SHIELDS :

WHEN POSSIBLE, GROUND SHIELD AT POWERED END OF INPUT CABLE ONLY  
LEAVE REMOTE END OF SHIELD OPEN IF CONNECTING SHIELD TO MODULE SHIELD GROUND  
MODULE SHIELD TERMINALS ARE AT LOCAL CHASSIS GROUND POTENTIAL AND ARE NOT ISOLATED  
WHEN POSSIBLE, AVOID CONNECTING SHIELD TO CHAN -

### DIGITAL MODULE CONNECTION NOTES

DIGITAL INPUTS ARE FOR DRY CONTACT INPUT ONLY  
DIGITAL INPUT - IS AT DIO POWER GROUND  
DIGITAL INPUT + IS AT 10k OHM TO DIO POWER +  
DIGITAL OUTPUT + IS AT DIO POWER +, FUSED AT 1 A  
DIGITAL OUTPUT - IS OPEN COLLECTOR TO DIO GROUND, 100 mA MAXIMUM PER OUTPUT  
SELF RESETTING FUSE TRIPS AT 1 A TOTAL CURRENT FROM OUTPUT + TERMINALS  
ALLOW 5 MINUTES RECOVERY TIME FOR SELF RESET OF FUSE  
STANDARD DIO POWER IS 24 VDC SUPPLIED BY THE CIM

## Syscon PlantStar RI03 Connector Wiring Diagrams

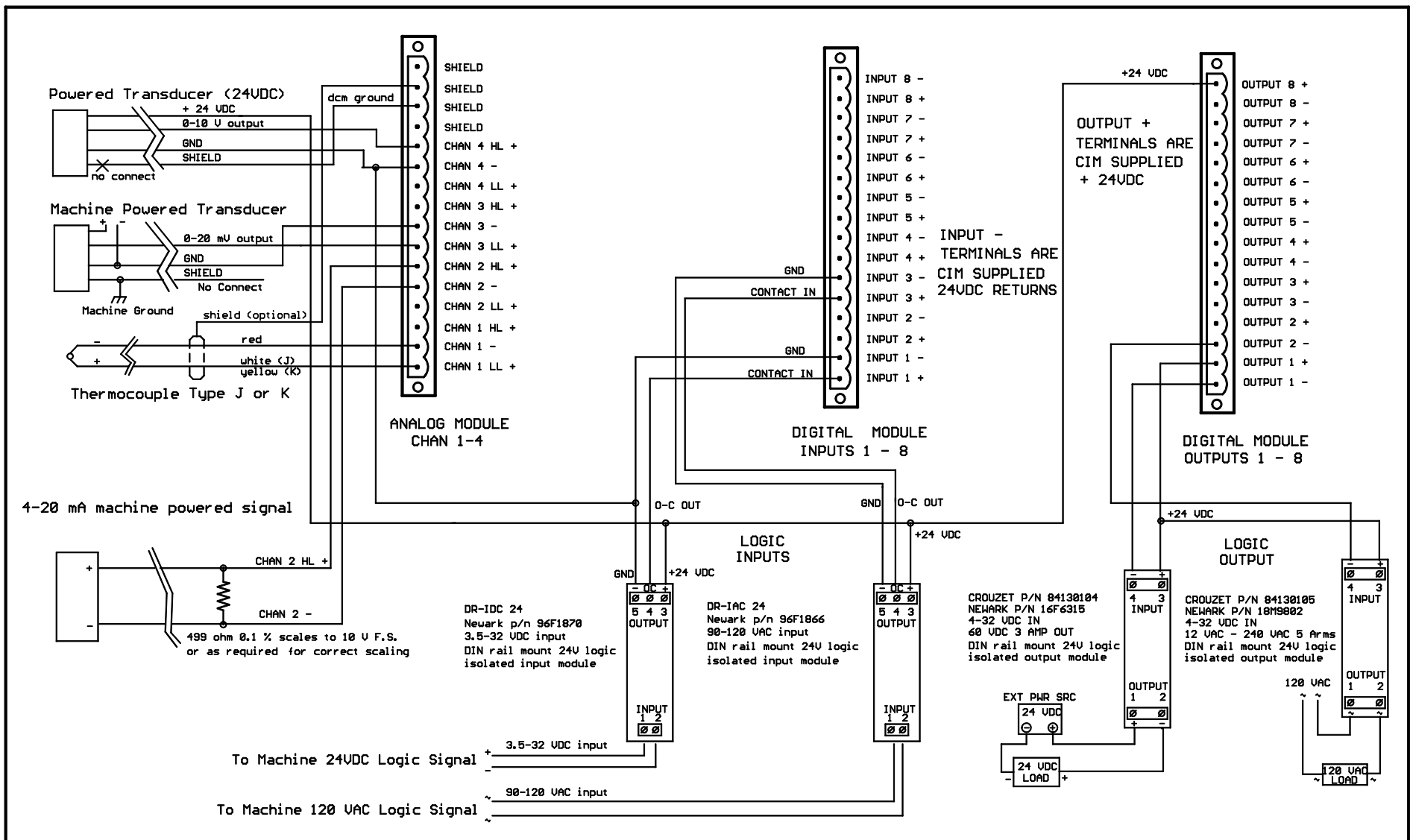
TITLE: pstarcustpinout

Document Number:

REV:

Date: 1/04/2010 06:12:54p

Sheet: 2/3



<b>Syscon PlantStar RI03 Machine Connection Examples</b>	
TITLE: pstarcustpinout	
Document Number:	REV:
Date: 1/04/2010 06:12:54p	Sheet: 3/3